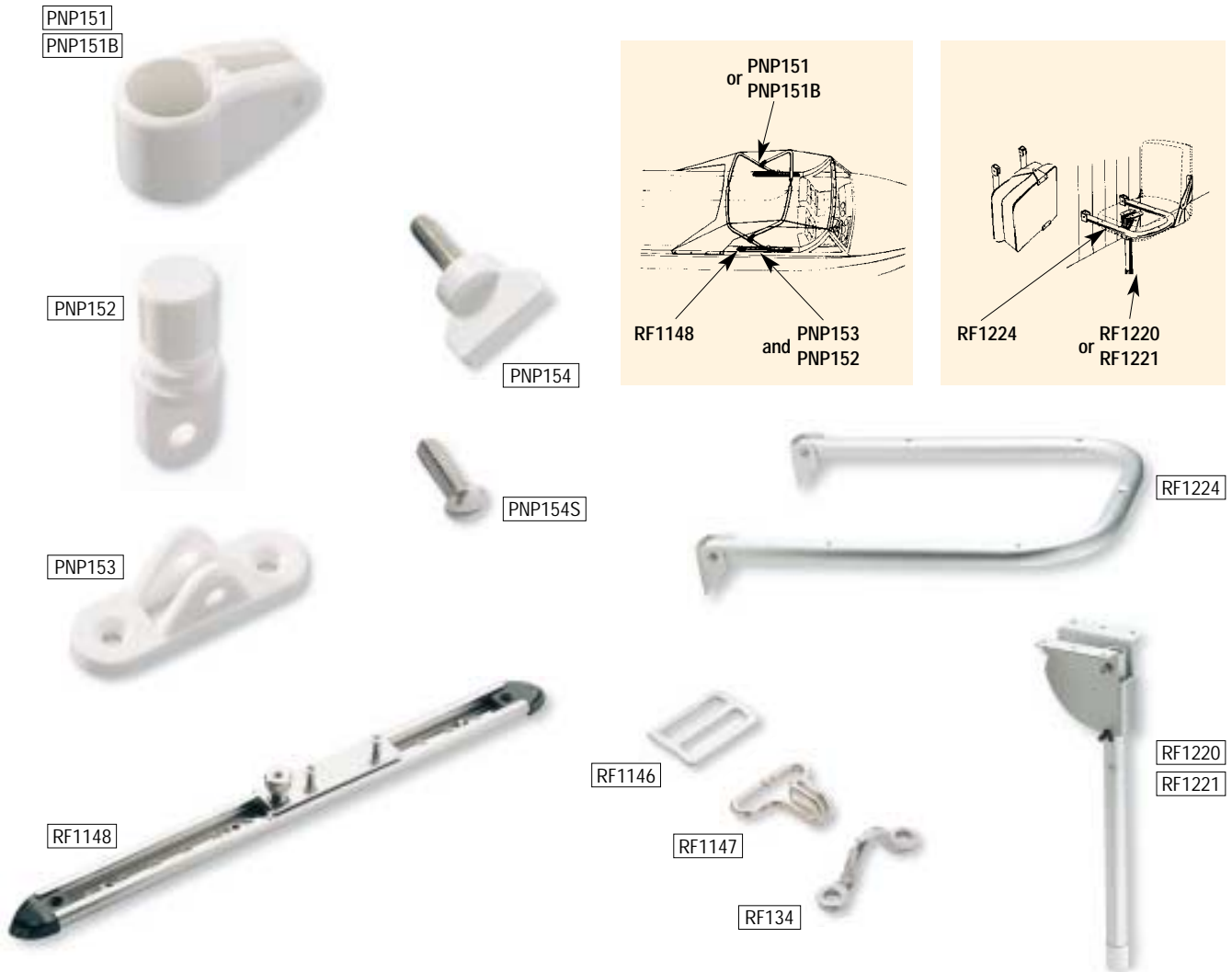


These accessories for cable steering systems are simple and economical. Sheaves are made from Acetal and have deep grooves to cradle the steering cable. All load straps and housings are made from Grade 316 Stainless Steel, except RF2417 which has a chrome plated Bronze body. The RF2414 steering drum and shaft assembly can be installed in either of two positions as shown in Diagram A.

For correct operation the steering cable should be wound onto the RF2424 steering drum as shown in Diagram B.

LINE DIAMETER
5mm (3/16") wire max.

PRODUCT No.	DESCRIPTION	MWL		BL		WEIGHT	
		kg	(lb)	kg	(lb)	g	(oz)
Steering Cable Pulleys							
RF144	Single 65mm (2 1/2") diam. pulley, 4.8mm (3/16") diam. swivel shackle top	350	(770)	750	(1650)	75	(2.7)
RF154	Single 65mm (2 1/2") diam. pulley. Brass swivel ring top 13mm (1/2") diam. ring clearance	300	(660)	600	(1320)	80	(2.8)
RF155	Double 65mm (2 1/2") diam. pulley. Brass swivel ring top	150	(330)	600	(1320)	135	(4.8)
RF2416	Single upright mount, 32mm (1 1/4") diam. pulley	300	(660)	800	(1760)	40	(1.4)
RF2417	Single sash mount, 55mm (2 1/8") diam. pulley. Chrome plated bronze body	700	(1540)	1800	(3960)	18	(6.4)
RF2419	Single flat mount, 55mm (2 1/8") diam. pulley	500	(1100)	1500	(3300)	80	(2.8)
RF2420	Single upright mount, 55mm (2 1/8") diam. pulley	900	(1980)	1800	(3960)	70	(2.5)
RF2421	Single upright mount, 55mm (2 1/8") diam. pulley	350	(770)	1300	(2860)	75	(2.7)
RF2422	Single loop top, 65mm (2 1/2") diam. pulley	700	(1540)	1800	(3960)	60	(2.1)
Steering Kit Accessories							
RF149	Stainless Steel steering cable tension spring	-	-	-	-	75	(2.7)
RF2414	Steering drum and shaft assembly with multi angle dash mount	-	-	-	-	1350	(48)
RF2415	Cable clamp	-	-	-	-	30	(1.1)
RF2424	Steering drum only from RF2414	-	-	-	-	110	(3.9)



Ronstan offers a range of fittings and installation accessories for tubular canopy frames.

The RF1148 track and slide assembly includes a 305mm (12") long section of 22mm (7/8") wide Stainless Steel track

with two track end fittings, and a chrome plated Brass slide with spring loaded plunger stop that suits the PNP153 bracket.

Folding seats can be made using the frame and seat legs which are made from heavy gauge anodised alloy tube. To fold, simply

pull the pin back and slide the leg around the arc of the mounting bracket. A spring mechanism provides a positive lock for the leg in its extended position.

PRODUCT No.	DESCRIPTION	WEIGHT g (oz)
Folding Canopy Frame Fittings		
PNP151	Canopy coupling. Suits 19mm (3/4") dia. tube	12 (0.4)
PNP151B	Canopy coupling. Suits 20mm (25/32") dia. tube	12 (0.4)
PNP152	Canopy tube end. Suits 19mm (3/4") dia. tube	10 (0.4)
PNP153	Deck mounting bracket to suit PNP152	9 (0.3)
PNP154	Wing bolt 1/4" thread, 22mm long, suits PNP151B, PNP153	8 (0.3)
PNP154S	Screw 1/4" BSW x 19mm (3/4") long, suits PNP151, PNP153	1 (0.1)
RF134	Saddle, internal clearance 14mm (9/16")	5 (0.2)
RF1146	Stainless Steel canopy strap buckle. Suits 25mm (1") wide strap	10 (0.4)
RF1147	Canopy strap hook, Nickel plated Brass. Suits 25mm (1") wide strap	10 (0.4)
RF1148	Folding canopy frame deck slide and track assembly. Suits PNP153	490 (17)
Folding Seat Frames		
RF1220	Folding seat leg. 337mm (13 1/4") long	360 (13)
RF1221	Same as RF1220 but 673mm (2' 2 1/2") long	465 (16.4)
RF1224	Seat U frame in 25mm (1") diam. x 2.5mm (3/32") diam. tube. Measures 381mm (15") x 305mm (12")	545 (19)