

Jib leads for 25mm (1") T-Track are typically used on boats up to 8 metres (26 feet).

Stand-up blocks on slides provide optimum alignment and low profile leads, and the

modular RF998 slide accepts Series 40 and 50 blocks.

The RF986 genoa car has a spring hinge that allows the sheave housing to pivot for correct alignment to the sheeting angle.

Stainless Steel slides have low friction liners and spring-loaded plunger pins for fast, positive positioning.

RF995 skiff wing slide has a screw-down plunger pin.

| PRODUCT No. | DESCRIPTION | MWL | | BL | | WEIGHT | |
|-------------|---|-----|--------|------|--------|--------|--------|
| | | kg | (lb) | kg | (lb) | g | (oz) |
| RF336 | Outhaul slide, wire control block incl. 336mm (13") RF980 T-Track | 650 | (1430) | 1300 | (2860) | 270 | (9.5) |
| RF986 | Genoa car, suits 10mm (3/8") rope, spring-loaded track stop | 400 | (880) | 800 | (1760) | 285 | (10.1) |
| RF995 | 49er wing slide, screw-in track stop | 500 | (1100) | 1000 | (2200) | 92 | (3.3) |
| RF996 | 49er wing slide | 500 | (1100) | 1000 | (2200) | 74 | (2.6) |
| RF998 | Slide with block head adapter, spring-loaded track stop, suits Series 40 & 50 blocks | 500 | (1100) | 1000 | (2200) | 127 | (4.5) |
| RF40177 | Slide with Series 40 Ball Bearing stand-up block, suits 10mm (7/16") rope, spring-loaded track stop | 350 | (770) | 800 | (1760) | 165 | (5.8) |
| RF41177 | Slide with Series 40 All Purpose stand-up block, suits 10mm (7/16") rope, spring-loaded track stop | 400 | (880) | 800 | (1760) | 166 | (5.9) |



RF980B

RF980S

RF987

RF1297

RF980 TRACK PROFILE

Area: 140mm²
 Centroid: X = +12.70mm, -12.70mm
 Y = +3.25mm, -4.70mm
 Moments of Inertia: I_{xx} = 636mm⁴
 I_{yy} = 5267mm⁴

Curved track not suitable

A simple reliable system for jib sheets and other adjustable controls, T-Track is strong, lightweight and low profile. Slides have low friction liners to protect the track.

Slides with attachment loops have spring-loaded plunger pins.

MATERIALS

- ▶ Grade 6351-T5 aluminium track, black or natural anodised

- ▶ Grade 316 Stainless Steel slide bodies
- ▶ UV stabilised Acetal sheaves
- ▶ Nylon slide liners

▶ **TRACK FASTENINGS** – 5mm (3/16") countersunk fasteners at 100mm (3 15/16") centres

▶ **STOP HOLES** – 50mm (2") centres

| PRODUCT No. | DESCRIPTION | MWL | | BL | | WEIGHT | |
|-------------|---|-----|--------|------|--------|--------|-------|
| | | kg | (lb) | kg | (lb) | g | (oz) |
| RF981 | Nylon track Insert | - | - | - | - | 3 | (0.1) |
| RF982 | Nylon track end | - | - | - | - | 5 | (0.2) |
| RF985 | Slide with large loop, spring-loaded track stop | 650 | (1430) | 1300 | (2860) | 125 | (4.4) |
| RF987 | Nylon slide inserts, pair | - | - | - | - | 10 | (0.4) |
| RF992 | Slide with small loop, spring-loaded track stop | 500 | (1100) | 1000 | (2200) | 100 | (3.5) |
| RF997 | Slide with small loop, spring-loaded track stop | 500 | (1100) | 1000 | (2200) | 95 | (3.4) |
| RF1297 | Track bolt, 5mm (3/16") dia.x152mm (6") long, nut, washer | - | - | - | - | 25 | (0.9) |

Track – Supplied with RF981 Nylon inserts

| | | | | | | | |
|------------|----------------------------------|--|--|--|--|------|--------|
| RF980x1.0B | Track, 1.0m (3'3") long, Black | | | | | 385 | (13.6) |
| RF980x1.0S | Track, 1.0m (3'3") long, Silver | | | | | 385 | (13.6) |
| RF980x1.5B | Track, 1.5m (4'11") long, Black | | | | | 575 | (20.3) |
| RF980x1.5S | Track, 1.5m (4'11") long, Silver | | | | | 575 | (20.3) |
| RF980x2.0B | Track, 2.0m (6'7") long, Black | | | | | 770 | (27.2) |
| RF980x2.0S | Track, 2.0m (6'7") long, Silver | | | | | 770 | (27.2) |
| RF980x3.0B | Track, 3.0m (9'10") long, Black | | | | | 1150 | (40.6) |
| RF980x3.0S | Track, 3.0m (9'10") long, Silver | | | | | 1150 | (40.6) |
| RF980x6.0B | Track, 6.0m (19'8") long, Black | | | | | 2300 | (81.3) |
| RF980x6.0S | Track, 6.0m (19'8") long, Silver | | | | | 2300 | (81.3) |

T-TRACK

32mm (1 1/4")



TRACKS & TRAVELLERS



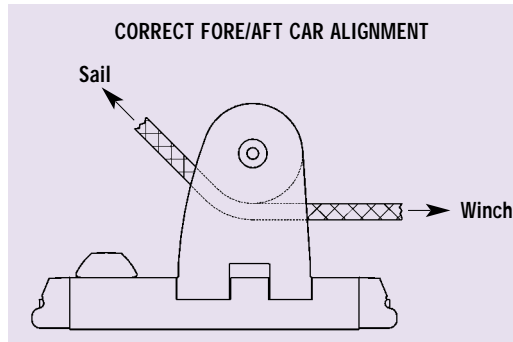
RF3185



RF874



RF3186



RF698



RF699



RF697

Jib leads for 32mm (1 1/4") T-Track are suitable for boats up to 12 metres (40 feet). The RF874 stand-up block lead has a Series 60 swivel block, with black chromed Stainless Steel cheeks flared to minimise chafing. The all Stainless Steel RF3185 is a single sheet genoa car with a spring hinge

that allows the sheave housing to align with the sheeting angle. Both of these cars are suitable for use with 12mm (1/2") line.

The RF3186 is a low profile genoa car with a 40mm wide sheave that accepts two sheets for easy headsail changes. This strong,

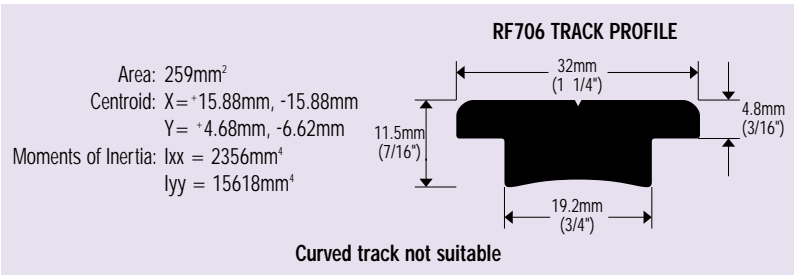
lightweight car is manufactured from extruded Aluminium, and has a spring-loaded plunger that can be locked in the 'up' position.

All sliders have low friction liners for easy adjustment.

| PRODUCT No. | DESCRIPTION | MWL | | BL | | WEIGHT | |
|-------------|---|------|--------|------|--------|--------|--------|
| | | kg | (lb) | kg | (lb) | g | (oz) |
| RF697 | Track stop, spring-loaded | - | - | - | - | 95 | (3.4) |
| RF698 | Slide with loop | 1000 | (2200) | 2000 | (4400) | 185 | (6.5) |
| RF699 | Slide with loop, spring-loaded track stop | 1000 | (2200) | 2000 | (4400) | 240 | (8.5) |
| RF874 | Slide with stand-up block, suits 12mm (1/2") rope, spring-loaded track stop | 1000 | (2200) | 2000 | (4400) | 440 | (15.5) |
| RF3185 | Genoa car, suits 12mm (1/2") rope, spring-loaded track stop | 750 | (1650) | 1500 | (3300) | 630 | (22.3) |
| RF3186 | Genoa car, suits up to twin 16mm (5/8") sheets, spring-loaded lock up/down track stop | 1500 | (3300) | 3000 | (6600) | 480 | (17.0) |



RF710



RF1300



RF696



RF706B



RF706S



RF721

RF722

RF723

RF724

T-Track systems are simple and reliable. Their high strength, low weight, and low profile make them ideal for jib sheet leads, spinnaker pole cars and other adjustable controls. Spring-loaded plungers provide

fast, easy positioning. All slides have low friction liners for easy adjustment.

MATERIALS

- ▶ Grade 6351-T5 aluminium track, black or natural anodised

- ▶ Grade 316 Stainless Steel slide bodies
- ▶ UV stabilised Acetal sheaves
- ▶ Nylon slide liners

▶ **TRACK FASTENINGS** – 6mm (1/4") countersunk fasteners at 100mm (3 15/16") centres

▶ **STOP HOLES** – 50mm (2") centres

| PRODUCT No. | DESCRIPTION | MWL | | BL | | WEIGHT | |
|-------------|--|-----|------|----|------|--------|-------|
| | | kg | (lb) | kg | (lb) | g | (oz) |
| RF696 | Nylon track end | - | - | - | - | 35 | (1.2) |
| RF710 | Nylon insulating track Insert | - | - | - | - | 3 | (0.1) |
| RF721 | Nylon slide liners (pair), suits RF697 | - | - | - | - | - | - |
| RF722 | Nylon slide liners (pair), suits RF704, RF695, RF1083 | - | - | - | - | - | - |
| RF723 | Nylon slide liners (pair), suits RF565, RF698, RF699, RF874, RF3185 | - | - | - | - | - | - |
| RF724 | Nylon slide liners (pair), Molybdenum Disulphide impregnated, suits RF3186 | - | - | - | - | 11 | (0.4) |
| RF1300 | Track bolt, 6mm (1/4") dia. x 152mm (6") long, nut, washer | - | - | - | - | 40 | (1.4) |

Track – Supplied with RF710 Nylon inserts

| | | | | | | | |
|------------|----------------------------------|--|--|--|--|------|---------|
| RF706x1.0B | Track, 1.0m (3'3") long, Black | | | | | 670 | (23.7) |
| RF706x1.0S | Track, 1.0m (3'3") long, Silver | | | | | 670 | (23.7) |
| RF706x1.5B | Track, 1.5m (4'11") long, Black | | | | | 1000 | (35.3) |
| RF706x1.5S | Track, 1.5m (4'11") long, Silver | | | | | 1000 | (35.3) |
| RF706x2.0B | Track, 2.0m (6'7") long, Black | | | | | 1330 | (47.0) |
| RF706x2.0S | Track, 2.0m (6'7") long, Silver | | | | | 1330 | (47.0) |
| RF706x3.0B | Track, 3.0m (9'10") long, Black | | | | | 2000 | (70.7) |
| RF706x3.0S | Track, 3.0m (9'10") long, Silver | | | | | 2000 | (70.7) |
| RF706x6.0B | Track, 6.0m (19'8") long, Black | | | | | 4000 | (141.3) |
| RF706x6.0S | Track, 6.0m (19'8") long, Silver | | | | | 4000 | (141.3) |