



RF58



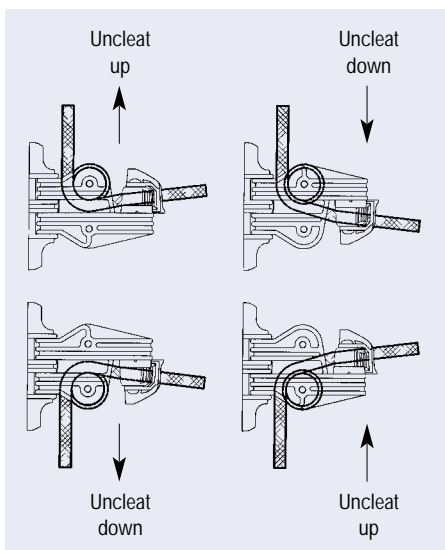
RF570



RF67



RF5



The RF58 and RF67 swivel cleat bases permit easy cleating and releasing from any angle. They are used for many control line applications on everything from dinghies and catamarans to larger racing yachts. Dead eyes have Stainless Steel liners for low friction and long life. Cleat plates are in thick gauge Aluminium for minimum distortion under load.

The RF570 mainsheet swivel unit is a simple, economical solution for dinghy mainsheet control.

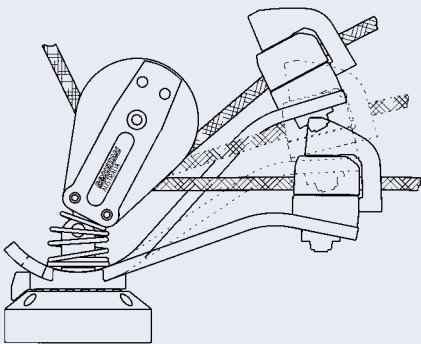
The RF5 swivel cleat platform is typically fitted to dinghy and catamaran spars for halyard, cunningham or outhaul control. Manufactured from high strength, light

weight composite materials, it comes complete with a 28mm (1 1/4") ball bearing sheave, small 'T-Cleat' and the 'Fast Track' fairlead. The sheave can be relocated to allow the control line to feed from below.

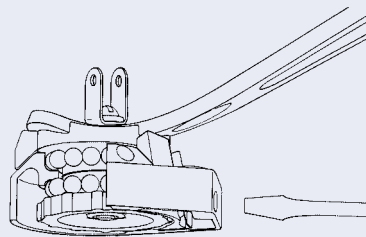
PRODUCT No.	DESCRIPTION	WEIGHT	
		g	(oz)
RF5	'Swivel 180' swivelling cleat platform. Features 28mm (1 1/8") diam. ball bearing sheave. RF5001 composite fibre T-Cleat and Fast Track fairlead. Suits 2 – 8mm (3/32 – 5/16") rope. MWL 150kg (330lb); BL 300kg, (660lb)	100	(3.5)
RF58	Swivelling dead eye and cleat unit. Features Aluminium arm, 360° rotation, medium T-Cleat & fairlead. Suits 3 – 12mm (1/8" – 1/2") rope	160	(5.7)
RF67	Swivelling dead eye, cleat unit. Aluminium arm, 360° rotation, small T-Cleat & fairlead. Suits 2 – 8mm (3/32" – 5/16") rope	122	(4.3)
RF570	Swivelling cleat and sheave unit. Stainless Steel base and adjustable angle arms, 360° rotation, ball bearing sheave and composite fibre medium T-Cleat. Suits up to 10mm (3/8") rope	250	(8.8)



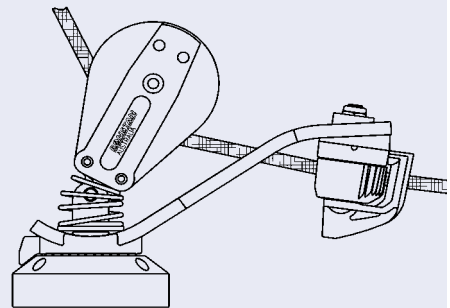
RF7



Height adjustable arm for optimum cleating angle.



Twin ball bearing race minimises friction. Adjustable ratchet system prevents the arm from falling to leeward.



Cleat and wedge kit can be mounted upside down to help achieve the optimum cleating angle or suit downward uncleating if preferred.

Ronstan's mainsheet swivel unit offers many unique features for fast, precise trimming and cleating. The angle of the Aluminium cleating arm can be set in various positions for optimum control. The cleat and fairlead can also be mounted under the cleat arm if downward cleat release is preferred.

Twin rows of ball bearings support the cleat arm, and stops are provided to limit rotation

to 260°. If required, the stops can be removed to allow full 360° rotation.

KEY POINTS

- ▶ Adjustable cleating arm angle
- ▶ Adjustable base ratchet to control arm rotation
- ▶ Twin race ball bearing system

An innovative adjustable ratchet system in the base can be used to apply resistance to rotation, but can also be turned off for free swivelling. This feature is particularly useful for preventing the arm from falling to leeward when the boat is heeling. The swivel fork can be attached directly to the head post of blocks with a 5mm (3/16") shackle pin.

PRODUCT No.	DESCRIPTION	MWL		BL		WEIGHT	
		kg	(lb)	kg	(lb)	g	(oz)
RF7	Ball bearing swivelling cleat base	300	(660)	600	(1320)	320	(11.3)