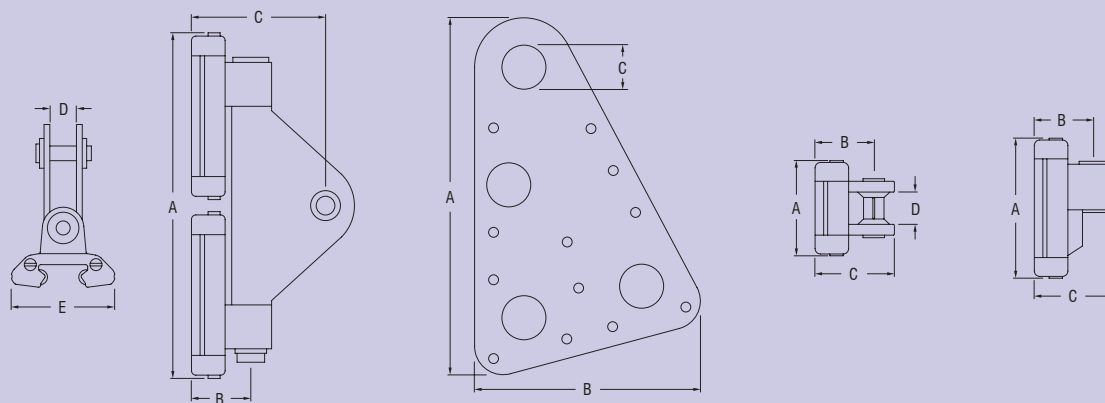




FEATURES

- ▶ Low profile cars run on twin races of Torlon® ball bearings.
- ▶ Machined alloy end caps ensure precision bearing performance and durability.
- ▶ Intermediate cars come with quick-release pins. Bushes can be permanently sewn into webbing loops on mainsail luff.
- ▶ Minimum distance from mast to mainsail luff enhances mainsail efficiency.



PRODUCT No.	DESCRIPTION	A		B		C		D		E		WEIGHT	
		mm	(in.)	mm	(in.)	mm	(in.)	mm	(in.)	mm	(in.)	g	(oz)
RC00010	Headboard plates (pair)	188	(7 13/32)	119	(4 11/16)	23	(29/32)	-	-	-	-	173	(6.1)
RC00020	Bush, suits 13mm (1/2") webbing	-	-	-	-	-	-	-	-	-	-	1	(0.1)
RC11460	Headboard car	155	(6 3/32)	22	(7/8)	60	(2 3/8)	12.5	(1/2)	41	(1 5/8)	243	(8.6)
RC11463	Intermediate car	54	(2 1/8)	22	(7/8)	30	(1 3/16)	18	(23/32)	41	(1 5/8)	47	(1.7)
RC11466	Batten car	66	(2 19/32)	22	(7/8)	30	(1 3/16)	-	-	41	(1 5/8)	60	(2.1)



FEATURES

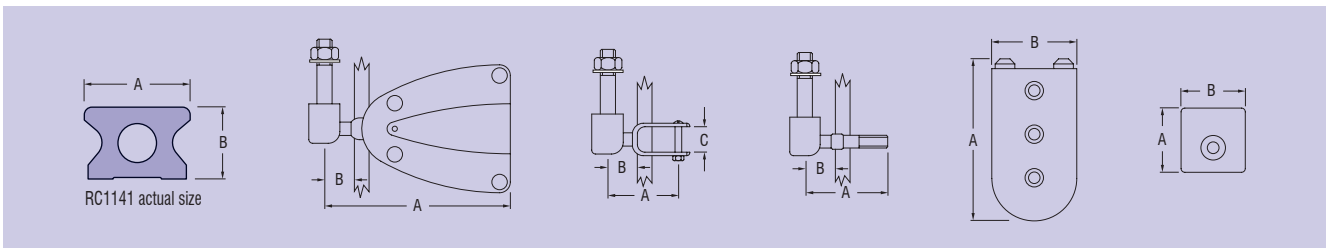
- ▶ Batten receptacles suit round or flat battens.
- ▶ Stainless steel ball joint links provide movement in all directions and up to 105 degrees either side of centre - also available to suit other common types of batten receptacle.

APPLICATIONS

- ▶ Monohulls to 12m (40') or sail area 38m² (409 ft²).
- ▶ Multihulls to 9m (30') or sail area 30m² (323 ft²).
- ▶ Refer to schematic diagrams for assistance in specifying system requirements.

MATERIALS

- ▶ Alloy car bodies and end caps.
- ▶ Torlon® ball bearings.
- ▶ Grade 316 stainless steel receptacle links.
- ▶ Batten receptacles in tough, moulded Nylon.



PRODUCT No.	DESCRIPTION	A		B		C		WEIGHT	
		mm	(in.)	mm	(in.)	mm	(in.)	g	(oz)
RC00110	Batten receptacle link with M10 thread	48	(1 29/32)	19	(3/4)	-	-	55	(1.9)
RC00140	Batten receptacle, Nylon, suits 40mm (1 1/2") flat & 14mm (9/16") round battens	-	-	-	-	-	-	61	(2.2)
RC00141	Batten receptacle link with RC00140 receptacle	92	(3 5/8)	15	(19/32)	-	-	105	(3.7)
RC00150	Batten receptacle, Nylon, suits 50mm (2") flat & 18mm (5/8") round battens	-	-	-	-	-	-	115	(4.1)
RC00151	Batten receptacle link with RC00150 receptacle	110	(4 11/32)	15	(19/32)	-	-	170	(6.0)
RC001R1	Batten receptacle link to suit Rutgerson receptacle	34	(1 11/32)	15	(19/32)	15	(19/32)	50	(1.8)
RC1141-2.0*	Track, 1975mm (77 13/16") long, black	14	(9/16)	9.4	(3/8)	-	-	421	(14.8)
RC1141-3.0*	Track, 3025mm (119 3/16") long, black	14	(9/16)	9.4	(3/8)	-	-	625	(22.0)
RC1141-6.0*	Track, 6025mm (237 3/8") long, black	14	(9/16)	9.4	(3/8)	-	-	1261	(44.5)
RC1141J	Track joiner, Acetal	-	-	-	-	-	-	1	(0.1)
RC11480	End cap, plastic	28	(3/32)	20	(25/32)	-	-	6	(0.2)
RC11481	End stop, plastic	68	(2 11/16)	33	(1 5/16)	-	-	11	(0.4)
RC1149-0.2*	Gate track, 250mm (9 27/32") long, black	14	(9/16)	9.4	(3/8)	-	-	52	(1.8)

* Silver track available - Order as RCxxxxxxxS