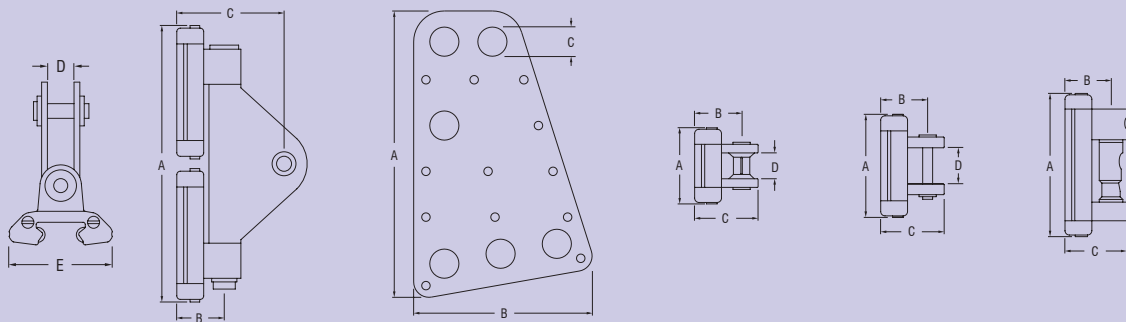




**FEATURES**

- ▶ Low profile cars run on twin races of Torlon® ball bearings, with machined alloy end caps for bearing performance and durability.
- ▶ Intermediate cars come with quick-release pins. Bushes can be permanently sewn into webbing loops on mainsail luff.
- ▶ Quick-Release batten receptacle cars and links are standard, to allow quick and easy removal of the mainsail for changeover, repair or stowage.



PRODUCT No.	DESCRIPTION	A		B		C		D		E		WEIGHT	
		mm	(in.)	mm	(in.)	mm	(in.)	mm	(in.)	mm	(in.)	g	(oz)
RC00011	Headboard plates (pair)	280	(11 1/32)	175	(6 29/32)	28	(1 3/32)	-	-	-	-	540	(19.0)
RC00012	Headboard plates (pair)	280	(11 1/32)	175	(6 29/32)	23	(29/32)	-	-	-	-	540	(19.0)
RC00022	Bush, suits 13mm (1/2") webbing	-	-	-	-	-	-	-	-	-	-	1	(0.1)
RC13060	Headboard car	255	(10 1/16)	43	(1 11/16)	120	(4 23/32)	20	(25/32)	76	(3)	1245	(43.9)
RC13063	Intermediate car	78	(3 1/16)	43	(1 11/16)	56	(2 7/32)	19	(3/4)	76	(3)	230	(8.1)
RC13069	Quick release batten car	129	(5 3/32)	43	(1 11/16)	56	(2 7/32)	-	-	76	(3)	555	(19.6)
RC13072	Reef car	130	(5 1/8)	43	(1 11/16)	56	(2 7/32)	37	(15/32)	76	(3)	534	(18.8)



RC00160  
RC00160L



RC00170  
RC00170L



RC00262



RC00271



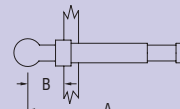
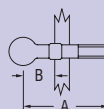
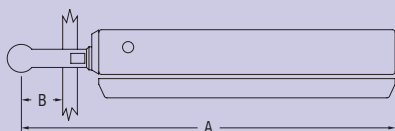
RC00213



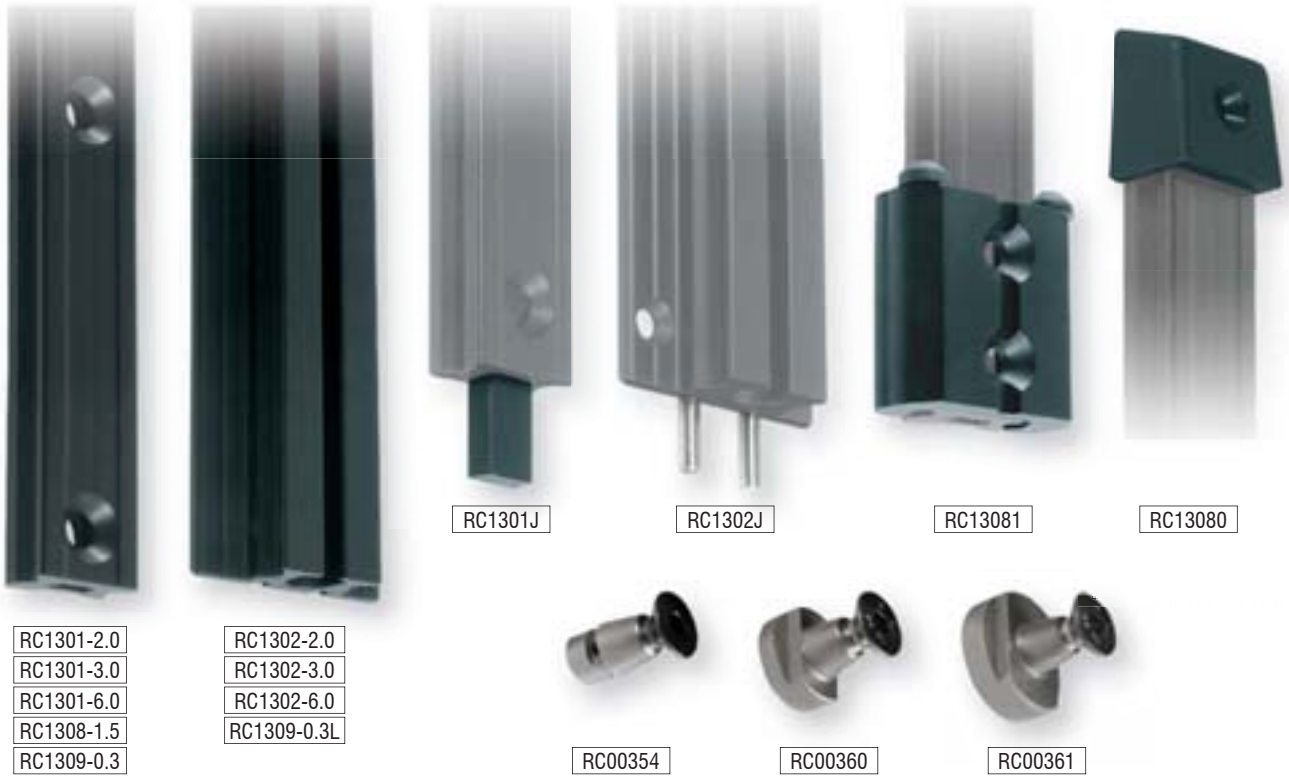
RC002B1  
RC002B2

**FEATURES**

- ▶ Stainless steel ball joint links provide movement in all directions and up to 105 degrees either side of centre, and are also available to suit other common types of batten receptacle.
- ▶ Adjustable alloy batten receptacles are available in two sizes.
- ▶ Minimum distance from mast to mainsail luff enhances mainsail efficiency.



PRODUCT No.	DESCRIPTION	A		B		WEIGHT	
		mm	(in.)	mm	(in.)	g	(oz)
RC00160	Batten receptacle, alloy, adjustable, suits 20mm (25/32") round battens	-	-	-	-	261	(9.2)
RC00160L	Batten leech receptacle, alloy, adjustable, suits 20mm (25/32") round battens	-	-	-	-	285	(10.1)
RC00170	Batten receptacle, alloy, suits 26mm (1 1/32") round battens	-	-	-	-	543	(19.2)
RC00170L	Batten leech receptacle, alloy, adjustable, suits 26mm (1 1/32") round battens	-	-	-	-	589	(20.8)
RC00213	Quick release batten receptacle link with M12 thread	62	(2 7/16)	19	(3/4)	59	(2.1)
RC00262	Quick release batten receptacle link with RC00160 receptacle	206	(8 1/8)	19	(3/4)	332	(11.7)
RC00271	Quick release batten receptacle link with RC00170 receptacle	252	(9 15/16)	19	(3/4)	638	(22.5)
RC002B1	Quick release batten receptacle link to suit Bainbridge receptacle	80	(3 5/32)	19	(3/4)	53	(1.9)
RC002B2	Quick release batten receptacle link to suit Bainbridge receptacle	110	(4 11/32)	19	(3/4)	80	(2.8)



**FEATURES**

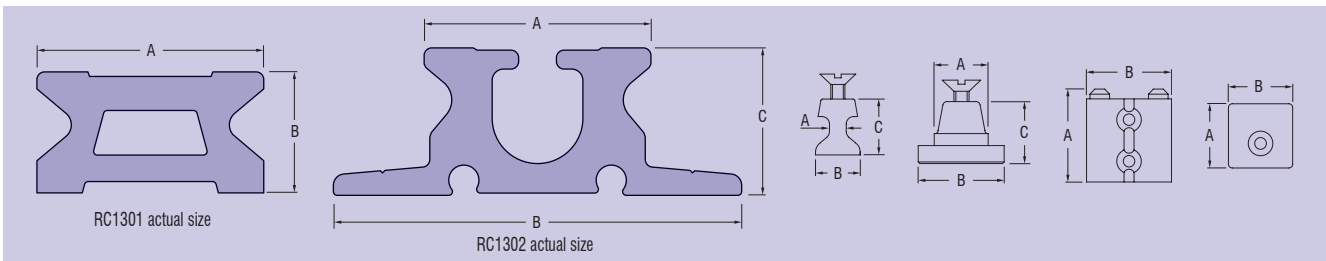
- ▶ Easy track installation using patented slug connectors.
- ▶ Luff Groove track available.

**APPLICATIONS**

- ▶ Monohulls to 23m (75') or sail area 120m<sup>2</sup> (1292 ft<sup>2</sup>).
- ▶ Multihulls to 17m (56') or sail area 93m<sup>2</sup> (1001 ft<sup>2</sup>).
- ▶ Refer to schematic diagrams for assistance in specifying system requirements.

**MATERIALS**

- ▶ Alloy car bodies and end caps.
- ▶ Torlon® ball bearings.
- ▶ Grade 316 stainless steel receptacle links.
- ▶ Alloy batten receptacles.



PRODUCT No.	DESCRIPTION	A		B		C		WEIGHT	
		mm	(in.)	mm	(in.)	mm	(in.)	g	(oz)
RC00354	Track mounting slug, including fasteners	4.4	(3/16)	12.0	(15/32)	20.0	(25/32)	10	(0.4)
RC00360	Track mounting slug, including fasteners	12.6	(1/2)	22.9	(29/32)	18.0	(23/32)	17	(0.6)
RC00361	Track mounting slug, including fasteners	18.5	(23/32)	29.7	(1 5/32)	20.0	(25/32)	26	(0.9)
RC1301-2.0*	Track, 2025mm (79 25/32") long, black	30	(1 3/16)	16	(5/8)	-	-	1689	(59.6)
RC1301-3.0*	Track, 3025mm (119 3/16") long, black	30	(1 3/16)	16	(5/8)	-	-	2530	(89.2)
RC1301-6.0*	Track, 6025mm (237 3/8") long, black	30	(1 3/16)	16	(5/8)	-	-	5020	(177.1)
RC1301J	Track joiner, Acetal	-	-	-	-	-	-	7	(0.2)
RC1302-2.0*	Luff groove track, 2025mm (79 25/32") long, black	30	(1 3/16)	54	(2 1/8)	19.5	(25/32)	2534	(89.4)
RC1302-3.0*	Luff groove track, 3025mm (119 3/16") long, black	30	(1 3/16)	54	(2 1/8)	19.5	(25/32)	3795	(133.8)
RC1302-6.0*	Luff groove track, 6025mm (237 3/8") long, black	30	(1 3/16)	54	(2 1/8)	19.5	(25/32)	7530	(265.6)
RC1302J	Luff groove track joiner	-	-	-	-	-	-	5	(0.2)
RC13080	End cap, plastic	37	(1 15/32)	37	(1 15/32)	-	-	27	(1.0)
RC13081	End stop, alloy	65	(2 9/16)	76	(3)	-	-	150	(5.3)
RC1308-1.5*	Headboard car track, 1500mm (59 3/32") long, black	30	(1 3/16)	16	(5/8)	-	-	1220	(43.0)
RC1309-0.3*	Gate track, 325mm (12 13/16") long, black	30	(1 3/16)	16	(5/8)	-	-	277	(9.8)
RC1309-0.3L*	Luff groove gate track, 325mm (12 13/16") long, black	30	(1 3/16)	54	(2 1/8)	19.5	(25/32)	416	(14.7)

\* Silver track available - Order as RCxxxxxxxS