



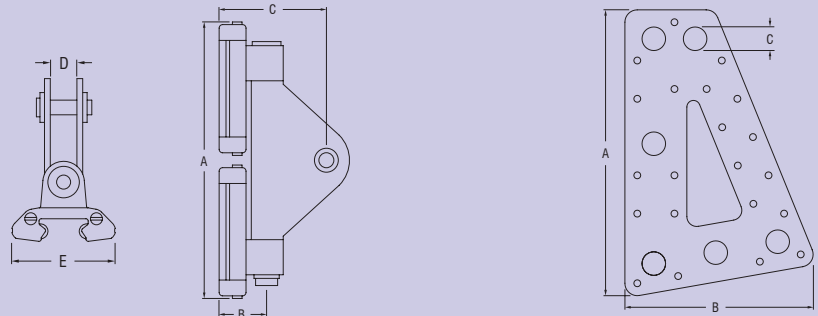
RC14260



RC00013

FEATURES

- ▶ Low profile cars run on twin races of Torlon® ball bearings, with machined alloy end caps for bearing performance and durability.
- ▶ Headboard car stirrup in highly polished stainless steel.
- ▶ Adjustable alloy batten receptacles are available in two sizes.
- ▶ Quick-Release batten receptacle cars and links are standard, to allow quick and easy removal of the mainsail for changeover, repair or stowage.
- ▶ Easy track installation using patented slug connectors.
- ▶ Luff Groove track available.



PRODUCT No.	DESCRIPTION	A		B		C		D		E		WEIGHT	
		mm	(in.)	mm	(in.)	mm	(in.)	mm	(in.)	mm	(in.)	g	(oz)
RC00013	Headboard plates (pair)	346	(13 5/8)	227	(8 15/16)	28	(1 3/32)	-	-	-	-	971	(34.2)
RC14260	Headboard car	335	(13 3/16)	56	(2 7/32)	152	(6)	27	(1 1/16)	96	(3 25/32)	3100	(109.3)





RC14263



RC00023



RC14272



RC14269

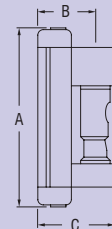
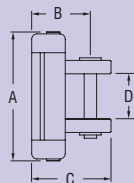
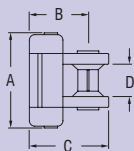
APPLICATIONS

- ▶ Monohulls to 29m (95') or sail area 168m² (1808 ft²).
- ▶ Multihulls to 22m (72') or sail area 125m² (1345 ft²).

▶ Refer to schematic diagrams for assistance in specifying system requirements.

MATERIALS

- ▶ Alloy car bodies and end caps.
- ▶ Torlon® ball bearings.
- ▶ Grade 316 stainless steel receptacle links.
- ▶ Alloy batten receptacles.



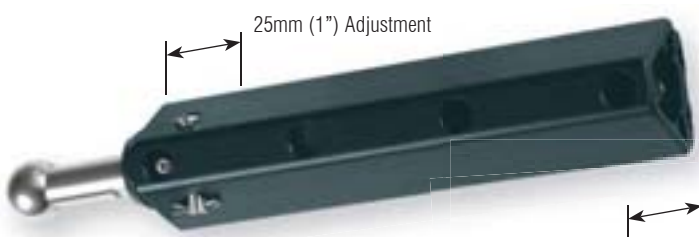
PRODUCT No.	DESCRIPTION	A		B		C		D		WEIGHT	
		mm	(in.)	mm	(in.)	mm	(in.)	mm	(in.)	g	(oz)
RC00023	Bush, suits 19mm (3/4") webbing	-	-	-	-	-	-	-	-	3	(0.1)
RC14263	Intermediate car	85	(3 11/32)	56	(2 7/32)	71	(2 13/16)	25	(1)	420	(14.8)
RC14269	Quick release batten car	165	(6 1/2)	56	(2 7/32)	71	(2 13/16)	-	-	1035	(36.5)
RC14272	Reef car	170	(6 11/32)	56	(2 7/32)	71	(2 13/16)	52	(2 1/16)	1135	(40.0)



RC00160
RC00160L



RC00170
RC00170L



RC00263



RC00272



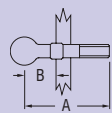
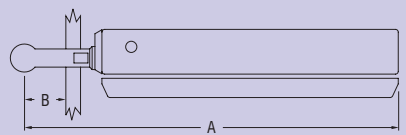
RC00214



RC00215

FEATURES

- ▶ Stainless steel ball joint links provide movement in all directions and up to 105 degrees either side of centre, and are also available to suit other common types of batten receptacle.
- ▶ Adjustable alloy batten receptacles are available in two sizes.



PRODUCT No.	DESCRIPTION	A		B		WEIGHT	
		mm	(in.)	mm	(in.)	g	(oz)
RC00160	Batten receptacle, alloy, adjustable, suits 20mm (25/32") round battens	-	-	-	-	261	(9.2)
RC00160L	Batten leech receptacle, alloy, adjustable, suits 20mm (25/32") round battens	-	-	-	-	285	(10.1)
RC00170	Batten receptacle, alloy, suits 26mm (1 1/32") round battens	-	-	-	-	543	(19.2)
RC00170L	Batten leech receptacle, alloy, adjustable, suits 26mm (1 1/32") round battens	-	-	-	-	589	(20.8)
RC00214	Quick release batten receptacle link with M14 thread	100	(3 15/16)	26	(1 1/32)	118	(4.2)
RC00215	Quick release batten receptacle link with M16 thread	110	(4 11/32)	26	(1 1/32)	184	(6.5)
RC00263	Quick release batten receptacle link with RC00160 receptacle	209	(8 1/4)	26	(1 1/32)	358	(12.6)
RC00272	Quick release batten receptacle link with RC00170 receptacle	259	(10 7/32)	26	(1 1/32)	667	(23.5)



RC1421-2.0
RC1421-3.0
RC1421-6.0
RC1428-1.5
RC1429-0.6



RC1422-2.0
RC1422-3.0
RC1422-6.0
RC1429-0.6L



RC1421J



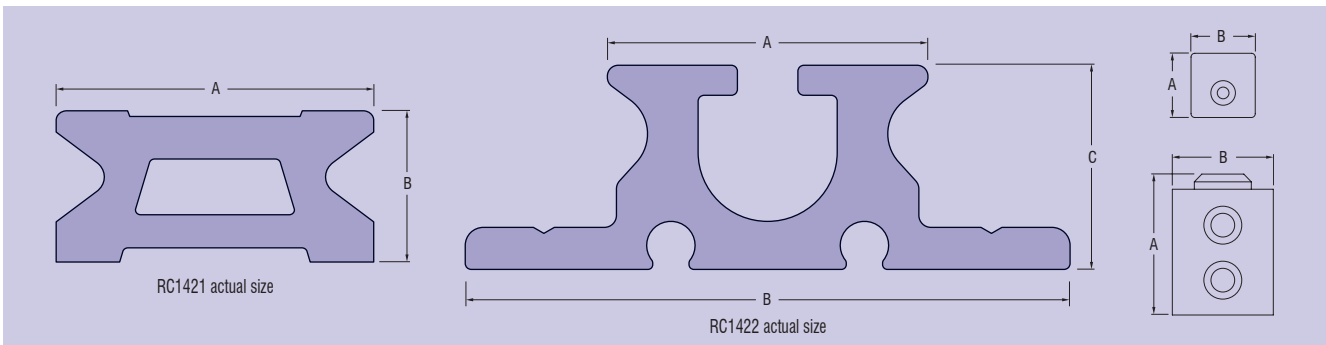
RC1422J



RC14281



RC14280



PRODUCT No.	DESCRIPTION	A		B		C		WEIGHT	
		mm	(in.)	mm	(in.)	mm	(in.)	g	(oz)
RC1421-2.0*	Track, 2000mm (78 13/16") long, black	42	(1 21/32)	21	(13/16)	-	-	2900	(102.3)
RC1421-3.0*	Track, 3000mm (118 3/16") long, black	42	(1 21/32)	21	(13/16)	-	-	4350	(153.4)
RC1421-6.0*	Track, 6000mm (236 13/32") long, black	42	(1 21/32)	21	(13/16)	-	-	8700	(306.8)
RC1421J	Track joiner, Acetal	-	-	-	-	-	-	17	(0.6)
RC1422-2.0*	Luff groove track, 2025mm (79 25/32") long, black	42	(1 21/32)	80	(3 5/32)	27	(1 1/16)	4758	(167.8)
RC1422-3.0*	Luff groove track, 3025mm (119 3/16") long, black	42	(1 21/32)	80	(3 5/32)	27	(1 1/16)	7108	(250.7)
RC1422-6.0*	Luff groove track, 6025mm (237 3/8") long, black	42	(1 21/32)	80	(3 5/32)	27	(1 1/16)	14157	(499.3)
RC1422J	Luff groove track joiner	-	-	-	-	-	-	10	(0.4)
RC14280	End cap, plastic	50	(1 31/32)	49	(1 15/16)	-	-	20	(0.7)
RC14281	End stop, alloy	100	(3 15/16)	75	(2 15/16)	-	-	345	(12.2)
RC1428-1.5*	Headboard car track, 1500mm (59 3/32") long, black	42	(1 21/32)	21	(13/16)	-	-	2175	(76.7)
RC1429-0.6*	Gate track, 650mm (25 5/8") long, black	42	(1 21/32)	21	(13/16)	-	-	905	(31.9)
RC1429-0.6L*	Luff groove gate track, 650mm (25 5/8") long, black	42	(1 21/32)	80	(3 5/32)	27	(1 1/16)	1525	(53.8)

* Silver track available - Order as RCxxxxxxS