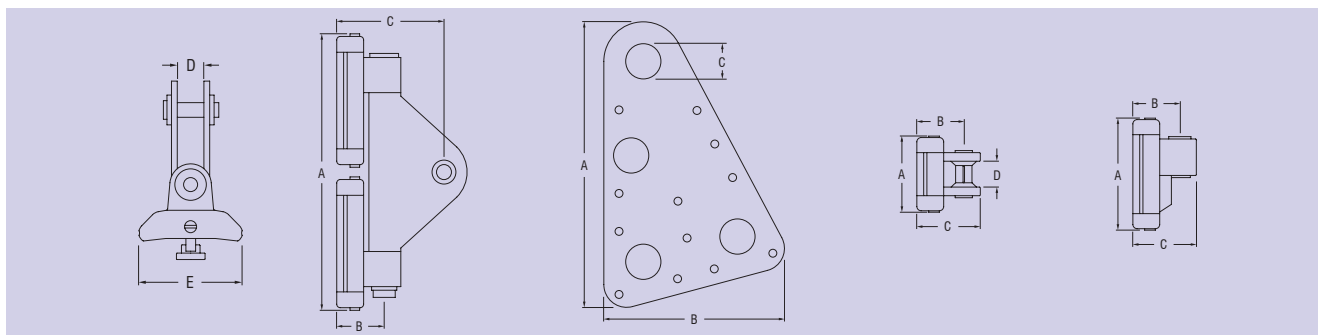




FEATURES

- ▶ Patented system uses low profile cars running on twin races of Acetal ball bearings.
- ▶ Cars use the existing luff groove of the mast (no track or installation work required).
- ▶ Ball bearings are captive for easy loading and unloading of cars from mast. Switch easily between fully battened and "soft luff" mainsails.
- ▶ Minimum distance from mast to mainsail luff enhances mainsail efficiency.



PRODUCT No.	DESCRIPTION	A		B		C		D		E		WEIGHT	
		mm	(in.)	mm	(in.)	mm	(in.)	mm	(in.)	mm	(in.)	g	(oz)
RC00010	Headboard plates (pair)	188	(7 13/32)	119	(4 11/16)	23	(29/32)	-	-	-	-	173	(6.1)
RC00021	Bush, suits 13mm (1/2") webbing	-	-	-	-	-	-	-	-	-	-	1	(0.1)
RC26160	Headboard car	160	(6 5/16)	23	(29/32)	62	(2 7/16)	12	(15/32)	41	(1 5/8)	280	(9.9)
RC26163	Intermediate car	55	(2 5/32)	23	(29/32)	31	(1 7/32)	18	(23/32)	41	(1 5/8)	50	(1.8)
RC26166	Batten car	68	(2 11/16)	23	(29/32)	31	(1 7/32)	-	-	41	(1 5/8)	65	(2.3)
RC26260	Headboard car	160	(6 5/16)	23	(29/32)	62	(2 7/16)	12	(15/32)	41	(1 5/8)	280	(9.9)
RC26263	Intermediate car	55	(2 5/32)	23	(29/32)	31	(1 7/32)	18	(23/32)	41	(1 5/8)	50	(1.8)
RC26266	Batten car	68	(2 11/16)	23	(29/32)	31	(1 7/32)	-	-	41	(1 5/8)	65	(2.3)
RC26360	Headboard car	160	(6 5/16)	23	(29/32)	62	(2 7/16)	12	(15/32)	41	(1 5/8)	280	(9.9)
RC26363	Intermediate car	55	(2 5/32)	23	(29/32)	31	(1 7/32)	18	(23/32)	41	(1 5/8)	50	(1.8)
RC26366	Batten car	68	(2 11/16)	23	(29/32)	31	(1 7/32)	-	-	41	(1 5/8)	65	(2.3)
RC26460	Headboard car	160	(6 5/16)	23	(29/32)	62	(2 7/16)	12	(15/32)	41	(1 5/8)	280	(9.9)
RC26463	Intermediate car	55	(2 5/32)	23	(29/32)	31	(1 7/32)	18	(23/32)	41	(1 5/8)	50	(1.8)
RC26466	Batten car	68	(2 11/16)	23	(29/32)	31	(1 7/32)	-	-	41	(1 5/8)	65	(2.3)
RC26560	Headboard car	160	(6 5/16)	23	(29/32)	62	(2 7/16)	12	(15/32)	41	(1 5/8)	280	(9.9)
RC26563	Intermediate car	55	(2 5/32)	23	(29/32)	31	(1 7/32)	18	(23/32)	41	(1 5/8)	50	(1.8)
RC26566	Batten car	68	(2 11/16)	23	(29/32)	31	(1 7/32)	-	-	41	(1 5/8)	65	(2.3)



FEATURES

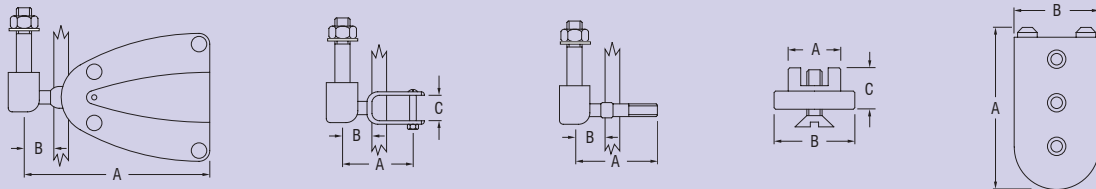
- ▶ Stainless steel ball joint links provide movement in all directions and up to 112 degrees either side of centre - also available to suit other common types of batten receptacle.

APPLICATIONS

- ▶ Monohulls to 12m (40') or sail area 38m² (409 ft²).
- ▶ Multihulls to 9m (30') or sail area 30m² (323 ft²).
- ▶ Refer to schematic diagrams for assistance in specifying system requirements.

MATERIALS

- ▶ Alloy car bodies.
- ▶ Carbon black Acetal ball bearings.
- ▶ Grade 316 stainless steel receptacle links.
- ▶ Batten receptacles in tough, moulded Nylon.



PRODUCT No.	DESCRIPTION	A		B		C		WEIGHT	
		mm	(in.)	mm	(in.)	mm	(in.)	g	(oz)
RC00110	Batten receptacle link with M10 thread	48	(1 29/32)	19	(3/4)	-	-	55	(1.9)
RC00140	Batten receptacle, Nylon, suits 40mm (1 9/16") flat & 14mm (9/16") round battens	-	-	-	-	-	-	61	(2.2)
RC00141	Batten receptacle link with RC00140 receptacle	92	(3 5/8)	15	(19/32)	-	-	105	(3.7)
RC00150	Batten receptacle, Nylon, suits 50mm (1 31/32") flat & 18mm (23/32") round battens	-	-	-	-	-	-	115	(4.1)
RC00151	Batten receptacle link with RC00150 receptacle	110	(4 11/32)	15	(19/32)	-	-	170	(6.0)
RC001R1	Batten receptacle link to suit Rutgerson receptacle	34	(1 11/32)	15	(19/32)	15	(19/32)	50	(1.8)
RC20101	Replacement Ballslide™ feet/membranes (pair), suits RC261xx and RC262xx cars	-	-	-	-	-	-	1	(0.1)
RC20102	Replacement Ballslide™ feet/membranes (pair), suits RC263xx cars	-	-	-	-	-	-	1	(0.1)
RC20103	Replacement Ballslide™ feet/membranes (pair), suits RC265xx cars	-	-	-	-	-	-	1	(0.1)
RC20111	Ballslide™ feet/membranes (pair), with s/steel screws and washers, suits RC264xx cars	13.0	(1/2)	20	(25/32)	10.3	(13/32)	14	(0.5)
RC20112	Ballslide™ feet/membranes (pair), with s/steel screws and washers, suits RC264xx cars	13.7	(17/32)	20	(25/32)	11.4	(7/16)	14	(0.5)
RC20113	Ballslide™ feet/membranes (pair), with s/steel screws and washers, suits RC264xx cars	13.7	(17/32)	20	(25/32)	11.0	(7/16)	14	(0.5)
RC20114	Ballslide™ feet/membranes (pair), with s/steel screws and washers, suits RC264xx cars	13.7	(17/32)	20	(25/32)	11.5	(7/16)	14	(0.5)
RC20115	Ballslide™ feet/membranes (pair), with s/steel screws and washers, suits RC264xx cars	12.8	(1/2)	20	(25/32)	10.5	(13/32)	14	(0.5)
RC20116	Ballslide™ feet/membranes (pair), with s/steel screws and washers, suits RC264xx cars	8.8	(11/32)	16	(5/8)	6.6	(1/4)	6	(0.2)
RC20117	Ballslide™ feet/membranes (pair), with s/steel screws and washers, suits RC264xx cars	11.6	(15/32)	20	(25/32)	10.0	(13/32)	12	(0.4)
RC20118	Ballslide™ feet/membranes (pair), with s/steel screws and washers, suits RC264xx cars	8.8	(11/32)	16	(5/8)	7.6	(5/16)	6	(0.2)
RC26181	End stop, plastic	68	(2 11/16)	33	(1 5/16)	-	-	11	(0.4)