



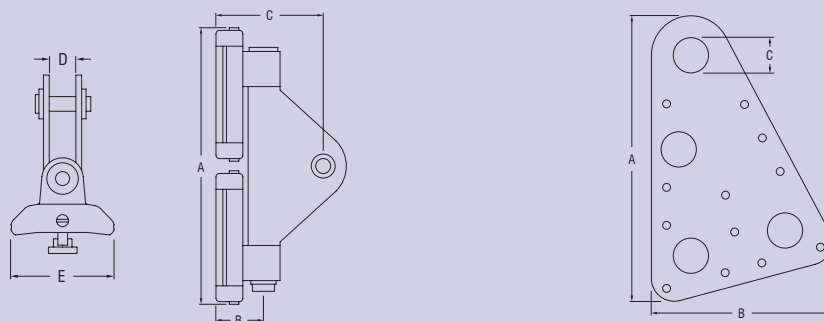
RC28161
RC28461

RC28160
RC28460

RC00010

FEATURES

- ▶ Patented system uses low profile cars running on twin races of Torklon® ball bearings.
- ▶ Ball bearings are captive for easy loading and unloading of cars from mast. Switch easily between fully battened and “soft luff” mainsails.
- ▶ Minimum distance from mast to mainsail luff enhances mainsail efficiency.
- ▶ Stainless steel ball joint links provide movement in all directions and up to 112 degrees either side of centre – also available to suit other common types of batten receptacle.
- ▶ Quick-Release batten receptacle links allow quick and easy removal of the mainsail for changeover, repair or stowage.
- ▶ Cars use the existing luff groove of the mast (no track or installation work required).



PRODUCT No.	DESCRIPTION	A		B		C		D		E		WEIGHT	
		mm	(in.)	mm	(in.)	mm	(in.)	mm	(in.)	mm	(in.)	g	(oz)
RC00010	Headboard plates (pair)	188	(7 13/32)	119	(4 11/16)	23	(29/32)	-	-	-	-	173	(6.1)
RC28160	Headboard car	214	(8 7/16)	30	(1 3/16)	75	(2 15/16)	16.5	(21/32)	51	(2)	520	(18.3)
RC28161	Headboard car	290	(11 7/16)	30	(1 3/16)	75	(2 15/16)	16.5	(21/32)	51	(2)	750	(26.5)
RC28460	Headboard car	214	(8 7/16)	30	(1 3/16)	75	(2 15/16)	16.5	(21/32)	51	(2)	520	(18.3)
RC28461	Headboard car	290	(11 7/16)	30	(1 3/16)	75	(2 15/16)	16.5	(21/32)	51	(2)	750	(26.5)



RC28163
RC28463



RC00021



RC28166
RC28466



RC28169
RC28469



RC28181



RC20130
RC20131
RC20132
RC20133



RC20101

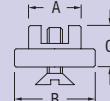
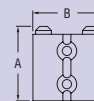
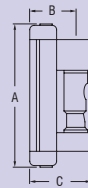
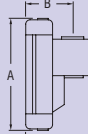
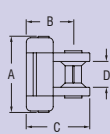
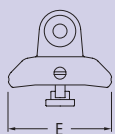
APPLICATIONS

- ▶ Monohulls to 18m (60') or sail area 60m² (646 ft²).
- ▶ Multihulls to 13m (43') or sail area 48m² (517 ft²).

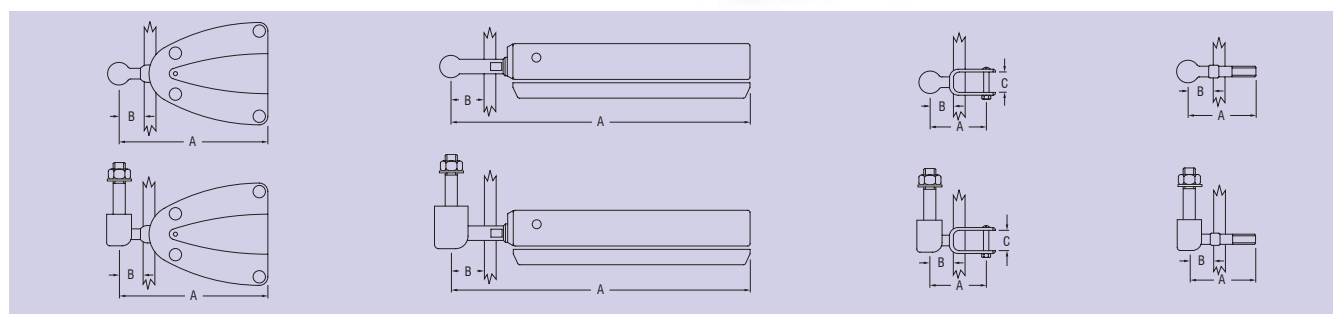
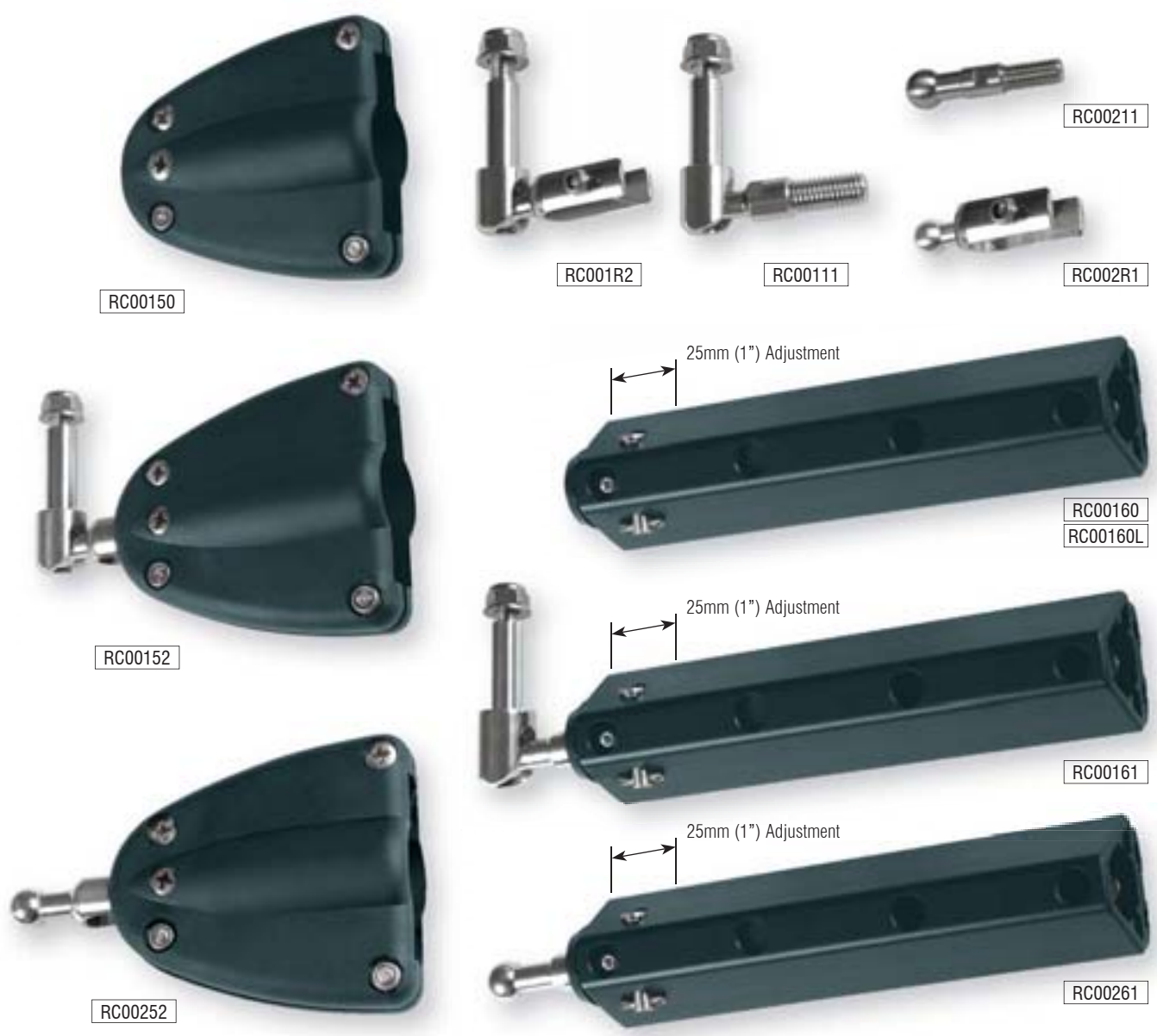
▶ Refer to schematic diagrams for assistance in specifying system requirements.

MATERIALS

- ▶ Alloy car bodies.
- ▶ Torton® ball bearings.
- ▶ Grade 316 stainless steel receptacle links.
- ▶ Alloy or moulded Nylon batten receptacles.



PRODUCT No.	DESCRIPTION	A		B		C		D		E		WEIGHT	
		mm	(in.)	mm	(in.)	mm	(in.)	mm	(in.)	mm	(in.)	g	(oz)
RC00021	Bush, suits 13mm (1/2") webbing	-	-	-	-	-	-	-	-	-	-	1	(0.1)
RC20101	Ballslide™ feet/membranes (pair), suits RC281xx cars	-	-	-	-	-	-	-	-	-	-	1	(0.1)
RC20130	Ballslide™ feet/membranes (pair), suits RC284xx cars	13.3	(17/32)	24.0	(15/16)	11.4	(7/16)	-	-	-	-	22	(0.8)
RC20131	Ballslide™ feet/membranes (pair), suits RC284xx cars	11.6	(15/32)	23.0	(29/32)	11.8	(15/32)	-	-	-	-	20	(0.7)
RC20132	Ballslide™ feet/membranes (pair), suits RC284xx cars	14.0	(9/16)	24.0	(15/16)	11.4	(7/16)	-	-	-	-	20	(0.7)
RC20133	Ballslide™ feet/membranes (pair), suits RC284xx cars	14.0	(9/16)	24.0	(15/16)	11.4	(7/16)	-	-	-	-	22	(0.8)
RC28163	Intermediate car	76	(3)	30	(1 3/16)	37	(1 15/32)	18	(23/32)	51	(2)	115	(4.1)
RC28166	Batten car	92	(3 5/8)	30	(1 3/16)	37	(1 15/32)	-	-	51	(2)	140	(4.9)
RC28169	Quick release batten car	105	(4 1/8)	30	(1 3/16)	37	(1 15/32)	-	-	51	(2)	220	(7.8)
RC28181	End stop	54	(2 1/8)	45	(1 25/32)	-	-	-	-	-	-	35	(1.2)
RC28463	Intermediate car	76	(3)	30	(1 3/16)	37	(1 15/32)	18	(23/32)	51	(2)	115	(4.1)
RC28466	Batten car	92	(3 5/8)	30	(1 3/16)	37	(1 15/32)	-	-	51	(2)	140	(4.9)
RC28469	Quick release batten car	105	(4 1/8)	30	(1 3/16)	37	(1 15/32)	-	-	51	(2)	220	(7.8)



PRODUCT No.	DESCRIPTION	A		B		C		WEIGHT	
		mm	(in.)	mm	(in.)	mm	(in.)	g	(oz)
RC00111	Batten receptacle link with M10 thread	45	(1 25/32)	19	(3/4)	-	-	75	(2.6)
RC00150	Batten receptacle, Nylon, suits 50mm (1 31/32") flat & 18mm (23/32") round battens	-	-	-	-	-	-	115	(4.1)
RC00152	Batten receptacle link with RC00150 receptacle	116	(4 9/16)	19	(3/4)	-	-	190	(6.7)
RC00160	Batten receptacle, alloy, adjustable, suits 20mm (25/32") round battens	-	-	-	-	-	-	261	(9.2)
RC00160L	Batten leech receptacle, alloy, adjustable, suits 20mm (25/32") round battens	-	-	-	-	-	-	285	(10.1)
RC00161	Batten receptacle link with RC00160 receptacle	206	(8 1/8)	19	(3/4)	-	-	375	(13.2)
RC001R2	Batten receptacle link to suit Rutgerson receptacle	37	(1 15/32)	19	(3/4)	15	(19/32)	69	(2.4)
RC00211	Quick release batten receptacle link with M10 thread	45	(1 25/32)	19	(3/4)	-	-	36	(1.3)
RC00252	Quick release batten receptacle link with RC00150 receptacle	116	(4 9/16)	19	(3/4)	-	-	152	(5.4)
RC00261	Quick release batten receptacle link with RC00160 receptacle	206	(8 1/8)	19	(3/4)	-	-	320	(11.3)
RC002R1	Quick release batten receptacle link to suit Rutgerson receptacle	45	(1 25/32)	19	(3/4)	15	(19/32)	30	(1.1)



Lyons 750 sportsboat *Wicked* - just out watching the start of the '98 Coffs Harbour race.
Photo: Ian Mainsbridge
www.all2easy.com

