



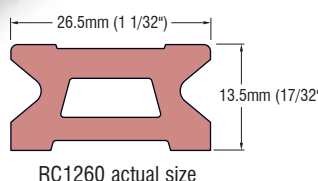
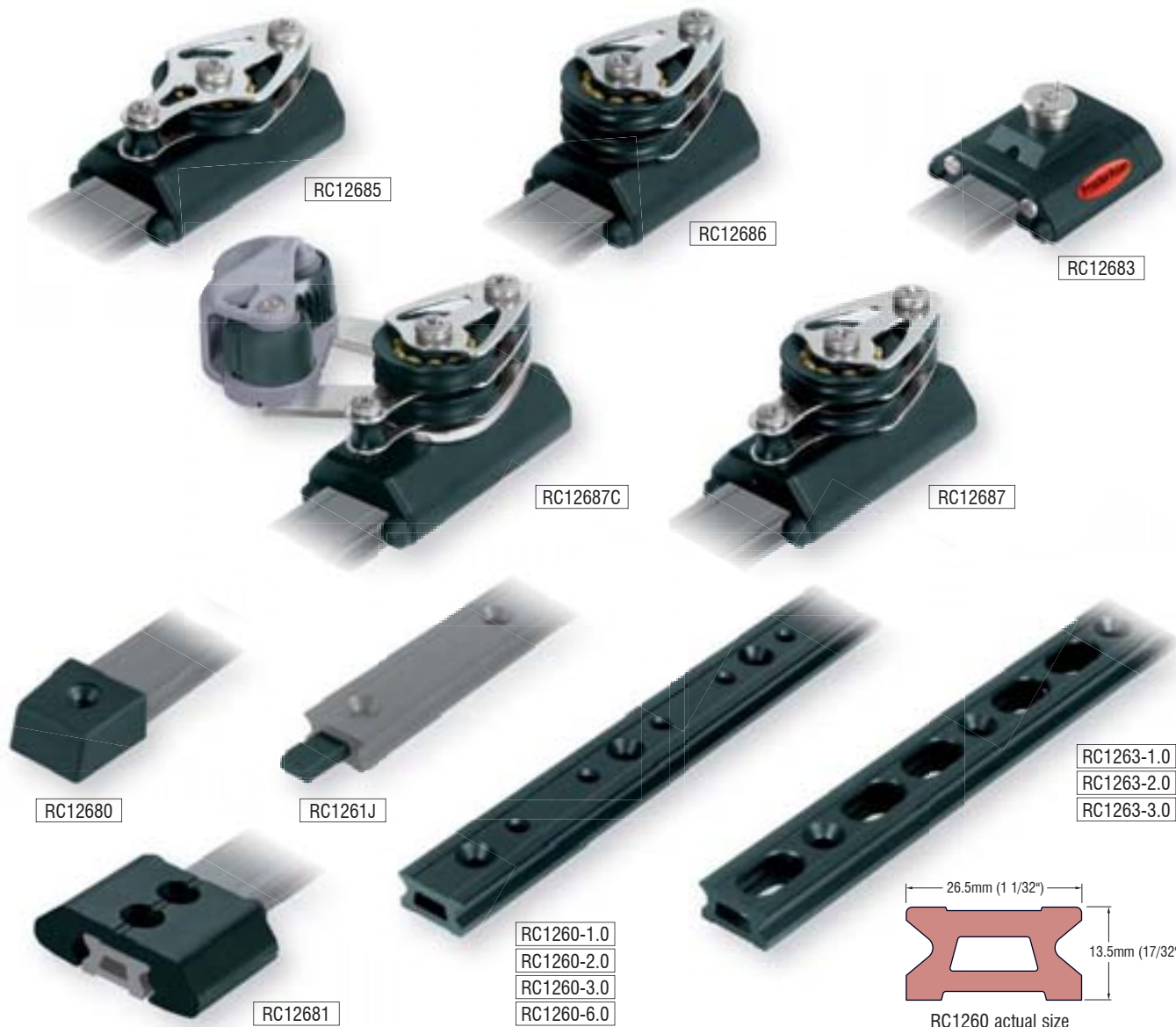
FEATURES

- ▶ Ball bearing cars have twin rows of recirculating Torlon® ball bearings for smooth, precise adjustment under load.
- ▶ Transverse genoa cars are used with floating block for sheet and track control ends for transverse movement, extending the trimmer's range of options for sail shape control.
- ▶ Control end sheaves are 40mm (1 9/16") diameter and suit up to 8mm (5/16") rope.
- ▶ Genoa car sheave for RC12631 is 60mm (2 3/8") diameter and can accept two sheets for easy headsail changes.
- ▶ Roller ball bearing sheave upgrade suits genoa car and floating block, ensuring minimum friction at high sheet loads.
- ▶ Individual cleat supports on mainsheet car can be adjusted to optimum cleating angle.
- ▶ Stand-up spring kit RF324-2 is available to suit mainsheet cars RC12603, RC12613, RC12623.

APPLICATIONS

- ▶ Mainsheet systems on boats to 12m (40 ft).
- ▶ Genoa sheet systems on boats to 13m (43 ft).
- ▶ Self tacking jib sheet systems on boats to 10m (33 ft).

PRODUCT No.	DESCRIPTION	LENGTH		WIDTH		M.W.L.		B.L.		WEIGHT	
		mm	(in.)	mm	(in.)	kg	(lb)	kg	(lb)	g	(oz)
BB Ball Bearing											
RC12603	Car, pivoting shackle top, 2 mounting screws	120	(4 3/4)	69	(2 3/4)	690	(1520)	1380	(3040)	331	(11.7)
RC12613	Car, pivoting shackle top, double control sheaves	200	(7 7/8)	69	(2 3/4)	1700	(3750)	3400	(7500)	740	(26.1)
RC12623	Car, pivoting shackle top, double control sheaves, adjustable cleats	205	(8 1/16)	69	(2 3/4)	1700	(3750)	3400	(7500)	1042	(36.8)
RC12631	Genoa car, single control sheave	180	(7 1/16)	69	(2 3/4)	1400	(3090)	2800	(6170)	582	(20.5)
RC12652	Transverse genoa car, double control sheaves, shackle return	200	(7 7/8)	69	(2 3/4)	1300	(2870)	2600	(5730)	598	(21.1)
RC12653	Transverse genoa car, double control & return sheaves	225	(8 7/8)	69	(2 3/4)	1300	(2870)	2600	(5730)	653	(23.0)
Accessories											
RF1051	Control becket, 8mm (5/16") eye, suits RC12203 & RC12204	-	-	-	-	-	-	-	-	6	(0.2)
RF1053	Control becket fork, 5mm (3/16") pin, suits RC12603 & RC12631	-	-	14	(9/16)	-	-	-	-	9	(0.3)
RF61101S	Floating block, 60mm (2 3/8") All Purpose sheave	-	-	33	(1 5/16)	1150	(2540)	2300	(5070)	230	(8.1)
RF68000W	Sheave RB, aluminium, diameter 60mm (2 3/8"), suits RC12631, RC61101S	-	-	33	(1 5/16)	1150	(2540)	-	-	128	(4.5)
RF324-2	Stand up spring kit, suits RC12603, RC12613, RC12623	-	-	-	-	-	-	-	-	60	(2.1)


FEATURES

- ▶ Control ends with high performance Torlon® ball bearing sheaves are used with mainsheet traveller and genoa sheeting systems to create purchase systems for easy adjustment of car position under load.
- ▶ Standard low profile track has stop holes for cars fitted with plunger stops.
- ▶ Light weight track has milled slots between mounting holes, achieving significant weight reduction.

MATERIALS

- ▶ Alloy track, car bodies and end caps.
- ▶ Torlon® ball bearings in cars and control sheaves.
- ▶ Acetal primary sheaves (genoa cars).
- ▶ Alloy control sheaves and primary sheave upgrade.
- ▶ Grade 316 stainless steel fixtures.

▶ **TRACK FASTENINGS** – 6mm (1/4") countersunk fasteners at 100mm (3 15/16") centres

▶ **STOP HOLES** – 50mm (1 31/32") centres

PRODUCT No.	DESCRIPTION	LENGTH		WIDTH		M.W.L.		B.L.		WEIGHT	
		mm	(in.)	mm	(in.)	kg	(lb)	kg	(lb)	g	(oz)
RC1260-1.0*	Track, black	996	(39 1/4)	26	(1 1/16)	-	-	-	-	600	(21.2)
RC1260-2.0*	Track, black	1996	(78 5/8)	26	(1 1/16)	-	-	-	-	1200	(42.3)
RC1260-3.0*	Track, black	2996	(118)	26	(1 1/16)	-	-	-	-	1800	(63.5)
RC1260-6.0*	Track, black	5996	(236 1/4)	26	(1 1/16)	-	-	-	-	3600	(127.0)
RC1261J	Track joiner	60	(2 3/8)	-	-	-	-	-	-	5	(0.2)
RC1263-1.0	Light weight track, black	996	(39 1/4)	26	(1 1/16)	-	-	-	-	504	(17.8)
RC1263-2.0	Light weight track, black	1996	(78 5/8)	26	(1 1/16)	-	-	-	-	1008	(35.6)
RC1263-3.0	Light weight track, black	2996	(118)	26	(1 1/16)	-	-	-	-	1512	(53.3)
RC12680	End cap, plastic	34	(1 5/16)	32	(1 1/4)	-	-	-	-	7	(0.2)
RC12681	End stop, aluminium	55	(2 3/16)	45	(1 25/32)	-	-	-	-	73	(2.6)
RC12683	Adjustable stop	55	(2 3/16)	69	(2 3/4)	-	-	-	-	120	(4.2)
RC12685	Control end, single sheave & becket	95	(3 3/4)	45	(1 25/32)	320	(710)	900	(1980)	211	(7.4)
RC12686	Control end, double sheave	75	(3)	45	(1 25/32)	450	(990)	900	(1980)	198	(7.0)
RC12687	Control end, double sheave & becket	95	(3 3/4)	45	(1 25/32)	450	(990)	900	(1980)	258	(9.1)
RC12687C	Control end, double sheave & becket, cleat	95	(3 3/4)	45	(1 25/32)	450	(990)	900	(1980)	405	(14.3)

* Silver track available - Order as RCxxxxxS